

4

3

2

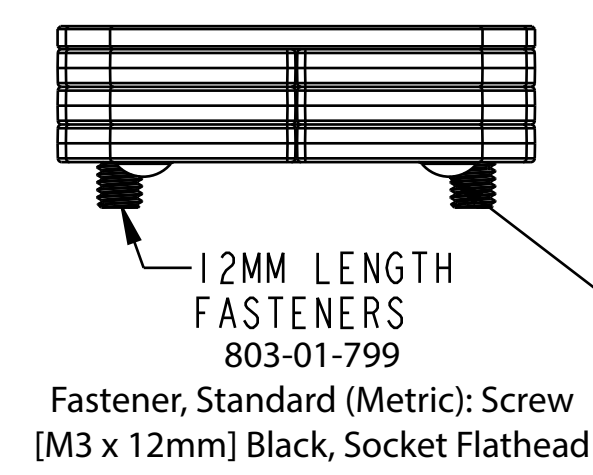
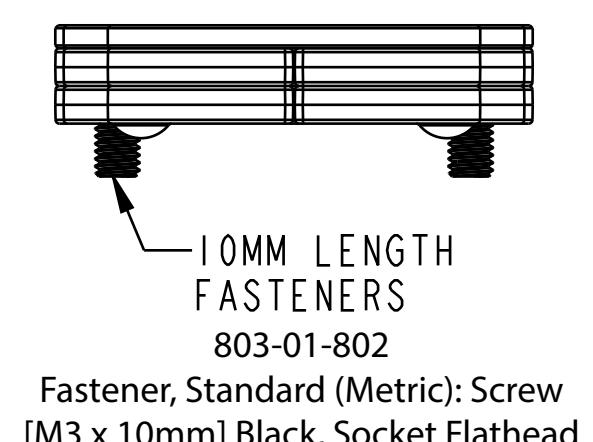
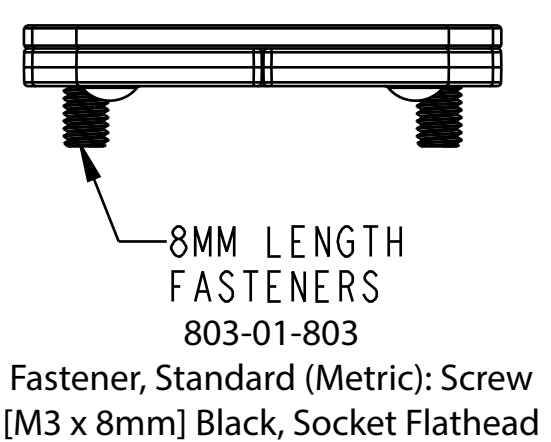
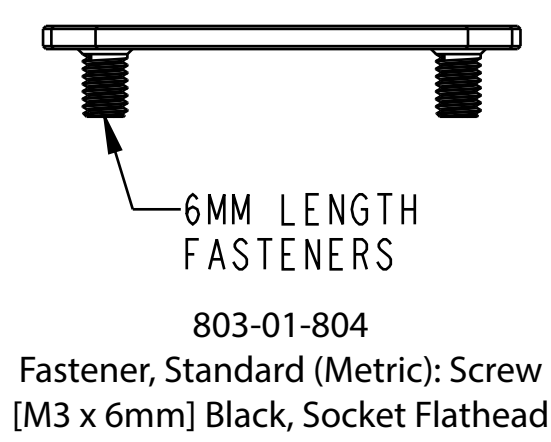
1

FULL TRAVEL

2.5MM REDUCTION

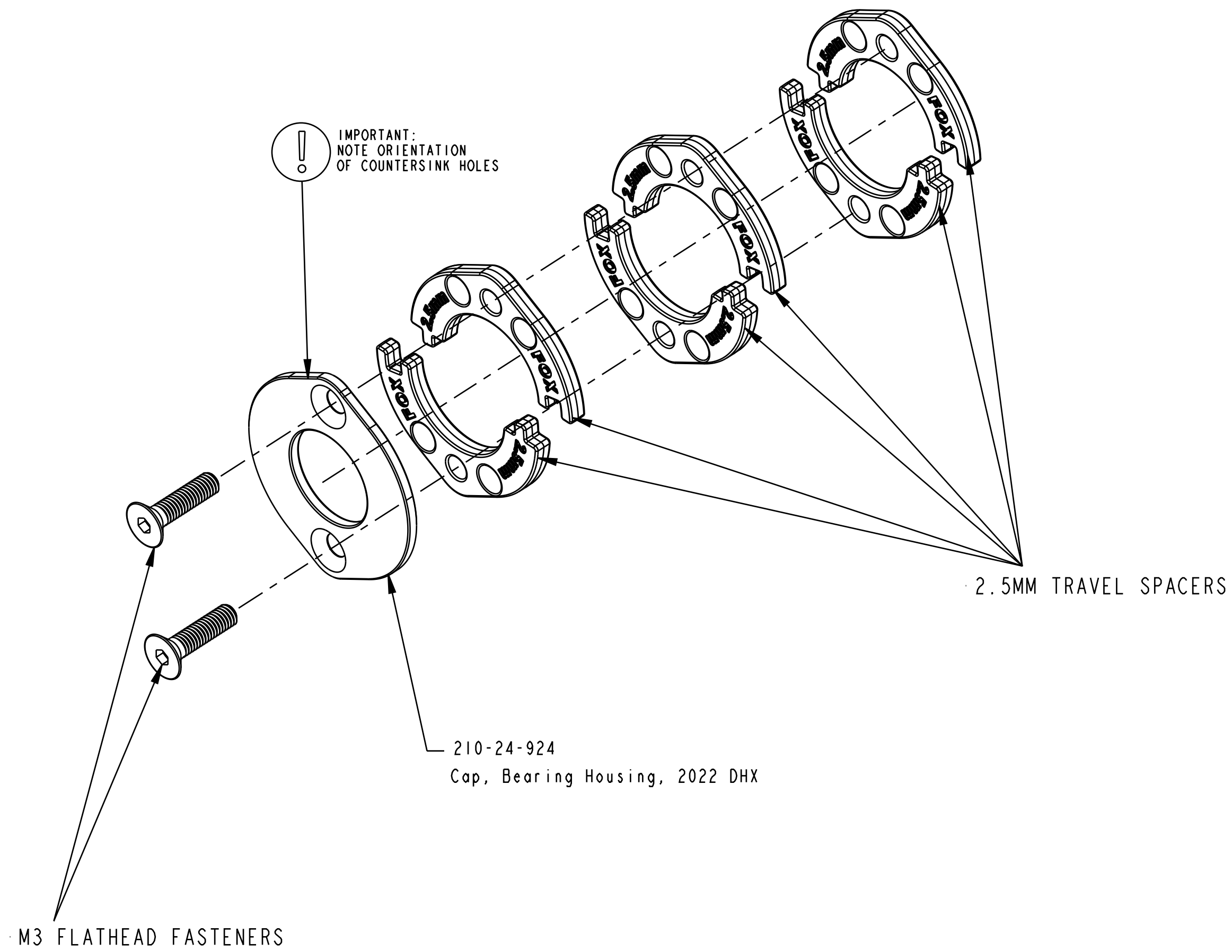
5.0MM REDUCTION

7.5MM REDUCTION



IMPORTANT:
NOTE ORIENTATION
BUMPS FACE BEARING HOUSING

IMPORTANT:
NOTE ORIENTATION
OF COUNTERSINK HOLES



FOX FOX Factory, Inc. Ph 831-768-1100
130 Hangar Way, Watsonville, CA 95076 USA Fax 831-768-9312

TITLE
2022 DHX Travel Spacers

SIZE DWG. NO.
C

PLOT SCALE 2:1 SHEET 1 OF 1

- PROPRIETARY -
THIS DOCUMENT CONTAINS CONFIDENTIAL, PROPRIETARY INFORMATION
THAT IS FOX PROPERTY. DO NOT DISCLOSE TO OR DUPLICATE
FOR OTHERS EXCEPT AS AUTHORIZED BY FOX.

4

3

2

1

ProE ASSEM